

Plug-in current transformer with „Cage Clamp®“,  
UL certificated



First CT series in the low-voltage with lightning impulse 12 kV / 1,2/50 $\mu$ s



[www.mbs-ag.com](http://www.mbs-ag.com)



## Certificate of Compliance

Certificate Number 20100426-E336996  
 Report Reference E336996, 2010 April 23  
 Issue Date 2010 April 26

Page 1 of 1



Issued to: **MBSAG**  
 Eisbachstr 51  
 Sulzbach-Laufen, 74429  
 Germany

This is to certify that representative samples of **INSTRUMENT TRANSFORMERS**  
 Series CTB

Have been investigated by Underwriters Laboratories in accordance with the Standard(s) indicated on this Certificate.

Standard(s) for Safety: **IEEE C57.13-1993**  
**CSA CAN3-C13-M83**

Additional Information: See **UL On-line Certification Directory** at [www.ul.com](http://www.ul.com) for additional information.

Only those products bearing the UL Recognized Component Marks for the U.S. and Canada should be considered as being covered by UL's Recognition and Follow-Up Service and meeting the appropriate U.S. and Canadian requirements.

The UL Recognized Component Mark for the U.S. generally consists of the manufacturer's identification and catalog number, model number or other product designation as specified under "Marking" for the particular Recognition as published in the appropriate UL Directory. As a supplementary means of identifying products that have been produced under UL's Component Recognition Program, UL's Recognized Component Mark **RA** may be used in conjunction with the required Recognized Marks. The Recognized Component Mark is required when specified in the UL Directory preceding the recognitions or under "Markings" for the individual recognitions. The UL Recognized Component Mark for Canada consists of the UL Recognized Mark for Canada **RA** and the manufacturer's identification and catalog number, model number or other product designation as specified under "Marking" for the particular Recognition as published in the appropriate UL Directory.

Look for the UL Recognized Component Mark on the product

William R. Carney  
 Director, North American Certification Programs  
 Underwriters Laboratories Inc.  
 Any information and documentation involving UL Mark services are provided on behalf of Underwriters Laboratories Inc. (UL) or any authorized licensee of UL.  
 For questions, please contact a local UL Customer Service Representative at <http://www.ul.com/global/eng/pages/corporate/contactus/>



# CERTIFICATE

The Certification Body  
 of TÜV SÜD Management Service GmbH  
 certifies that



**MBS AG**

Eisbachstraße 51, D-74429 Sulzbach-Laufen

has established and applies  
 a Quality Management System for

Development, production and sales of measuring transducers, energy meters, bus bar insulators/ holders, Low voltage current transformers series 0.5- split core current transformers, verification/ certification of electrical measuring instruments within the scope of the Official Testing Laboratory for Measuring Instruments.

An audit was performed, Report No. **70003062**  
 Proof has been furnished that the requirements  
 according to

**ISO 9001:2008**

are fulfilled. The certificate is valid until **2012-03-19**  
 Certificate Registration No. **12 100 20346 TMS**

Munich, 2010-06-11



GMS-TGA-ZM-07-92

TÜV SÜD Management Service GmbH • Zertifizierstelle • Ridlerstraße 65 • 80339 München • Germany

TUV®

## MBS AG

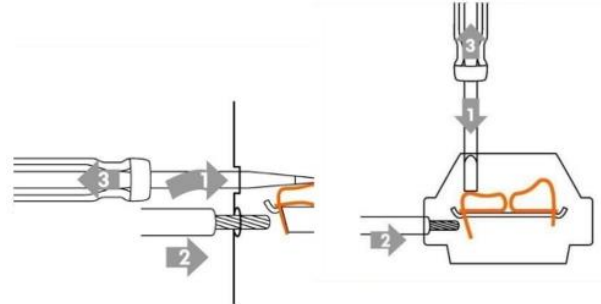
Eisbachstraße 51 · 74429 Sulzbach-Laufen  
 Germany

Telefon: +49 7976 9851-0 · Telefax: +49 7976 9851-90  
 E-Mail: [info@mbs-ag.com](mailto:info@mbs-ag.com) · Web: [www.mbs-ag.com](http://www.mbs-ag.com)

## Plug-in current transformer with screwless connection technology „Cage Clamp®“, UL certificated



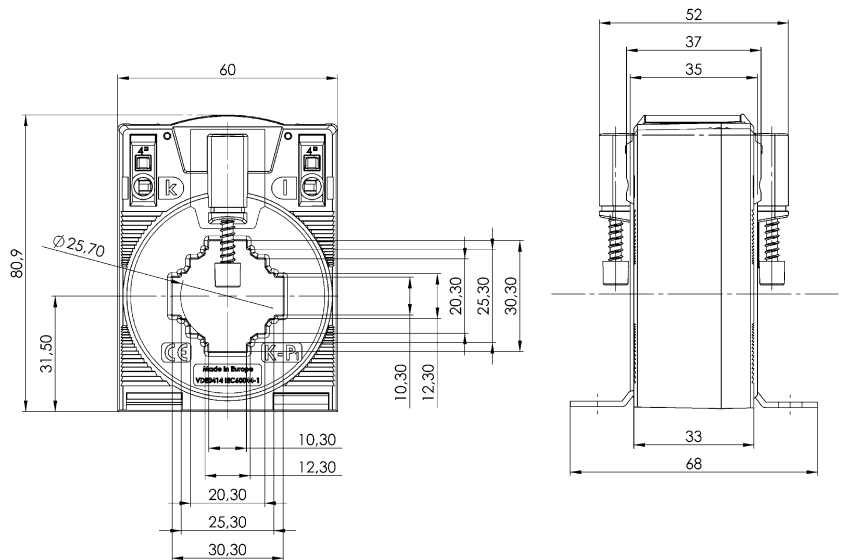
Screwless connection technology  
„Cage Clamp®“ (In front or on top)



### Further information:

- World's first CT with screwless connection technology for the secondary caps – „Cage Clamp®“
- **UL certification.** Certificate no.: 20100426-E336996
- Innovative time-saving connection of either solid or flexible terminals not exceeding 4 mm<sup>2</sup> to be fitted either on the top or bottom or in the center without ferrules.
- Vibration and shock resistant
- Maintenance free gas-tight connection
- High current carrying capacity
- Low voltage CT for maximum operating voltage to 1.2 kV. Use in 690 V networks possible
- Isolation test voltage: 6 kV, U<sub>eff.</sub>, 50 Hz, 1 min.
- **Higher isolation level 1.2/6/12 kV – Tested lightning impulse voltage for 690 V switchgear according IEC 61439-1 und -2!**
- Primary nominal current ranges from 50 A up to 2500 A
- Accuracy classes 3; 1; 0,5; 0,5S, 0,2 und 0,2S
- Can be overloaded continuously with 120 % of the primary rated current
- Suitable for nominal frequencies of 50 Hz or 60 Hz
- Over-current limiting factor: See rating plate
- Isolation class: E
- Operating temperature in the range -5°C to 50°C
- Storage temperature in the range -25°C to 70°C
- Unbreakable plastic housing of grey polycarbonate, self-extinguishing, UL94-V0 and flame resistant
- Packaging unit: 1 pc.
- Customs tariff number: 85043129

## CTB 31.35 Plug-in current transformer



### Dimension:

- Bus bar 1: 30 x 10 mm
- Bus bar 2: 25 x 12 mm
- Bus bar 3: 20 x 20 mm
- Round conductor: 25.7 mm
- Transformer width: 60 mm
- Transformer height: 80.9 mm
- Total depth: 52 mm

### General technical specifications:

- Thermal nominal continuous rated current  $I_{cth}$ :  $1.2 \times I_N$
- Thermal nominal short-time current  $I_{th}$ :  $60 \times I_N$ , 1 sec.
- Maximum operating voltage  $U_m$ : 1.2 kV,  $U_{eff}$
- Isolation test voltage: 6 kV,  $U_{eff}$ , 50 Hz, 1 Min.
- Lightning impulse voltage: 12kV, 1,2/50  $\mu$ s**
- Rated frequency: 50 / 60 Hz
- Applicable technical standards: DIN EN 61869, part 1 + 2

### Order list – secondary 5A

Secondary current		5A					
Primary current	Burden	Accuracy class					
		3	1	0.5	0.5S	0.2	0.2S
[ A ]	[ VA ]	Art.-no.	Art.-no.	Art.-no.	Art.-no.	Art.-no.	Art.-no.
50	1.25	50-0001					
60	1.25		50-0017				
75	2.5		50-0018				
80	2.5		50-0019				
100	1.5			G50-5001	G50-5024	G50-5046	
	2.5		50-0002	G50-5002	G50-5025		
125	1.5			50-2001	G50-5027		
	2.5		50-0003	G50-5004	G50-5028		
150	1.5				G50-5029	G50-5049	G50-5065
	2.5			50-2002	G50-5030		
	5		50-0004				
200	1.5				G50-5031	G50-5050	G50-5066
	2.5			50-2003	G50-5032	G50-5051	
	5		50-0005	G50-5010	G50-5033		
250	2.5			G50-5011	G50-5034	G50-5052	G50-5067
	5		50-0006	50-2004	G50-5035	G50-5053	
300	5		50-0007	50-2005	G50-5037	G50-5035	G50-5067
	10		50-0008				
400	5		50-0009	50-2006	G50-5038	G50-5056	G50-5070
	10		50-0010	50-2007			
500	5		50-0011	50-2008	G50-5040	G50-5058	G50-5072
	10		50-0012	50-2009	G50-5041		
600	5		50-0013	50-2010	G50-5042	G50-5059	G50-5073
	10		50-0014	50-2011	G50-5043	G50-5060	
750	5		50-0015	50-2012	G50-5044	G50-5061	G50-5074
	10		50-0016	50-2013	G50-5045	G50-5062	G50-5075

## Order list – secondary 1A

Secondary current		1A					
Primary current	Burden	Accuracy class					
		3	1	0.5	0.5S	0.2	0.2S
[ A ]	[ VA ]	Art.-no.	Art.-no.	Art.-no.	Art.-no.	Art.-no.	Art.-no.
50	1.25	50-0021					
60	1.25		50-0037				
75	2.5		50-0038				
80	2.5		50-0039				
100	1.5			G50-7001	G50-7024	G50-7046	
	2.5		50-0022	G50-7002	G50-7025		
125	1			G50-7003	G50-7026	G50-7047	G50-7061
	1.5			50-2021	G50-7027	G50-7048	
	2.5		50-0023	G50-7005	G50-7028		
150	1.5			G50-7006	G50-7029	G50-7049	G50-7062
	2.5			50-2022	G50-7030		
	5		50-0024				
200	1.5			G50-7008	G50-7031	G50-7050	G50-7063
	2.5			50-2023	G50-7032	G50-7051	G50-7064
	5		50-0025	G50-7010	G50-7033		
250	2.5			G50-7011	G50-7034	G50-7052	G50-7065
	5		50-0026	50-2024	G50-7035		
300	2.5				G50-7036	G50-7053	G50-7066
	5		50-0027	50-2025	G50-7037	G50-7054	
	10		50-0028				
400	5		50-0029	50-2026	G50-7038	G50-7055	G50-7067
	10		50-0030	50-2027			
500	2.5				G50-7039	G50-7056	G50-7068
	5		50-0031	50-2028	G50-7040	G50-7057	
	10		50-0032	50-2029	G50-7041		
600	5		50-0033	50-2030	G50-7042	G50-7058	G50-7069
	10		50-0034	50-2031	G50-7043		
750	5		50-0035	50-2032	G50-7044	G50-7059	G50-7070
	10		50-0036	50-2033	G50-7045	G50-7060	G50-7071

## Accessories

Quick-Fix (Art.-no.: 55021)



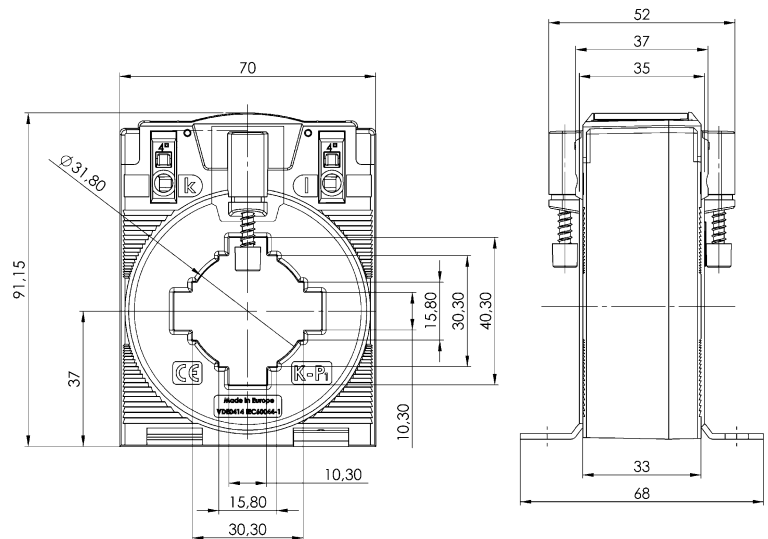
Sealed shutter (Art.-no.: 59057)



Snap-on mounting to clip the current transformer onto 35 mm DIN rail (Art.-no. 55015)



## CTB 41.35 Plug-in current transformer



### Dimension:

- Primary conductor 1: 40 x 10 mm
- Primary conductor 2: 30 x 15 mm
- Round conductor: 31.8 mm
- Transformer width: 70 mm
- Transformer height: 91.15 mm
- Total depth: 52 mm

### General technical specifications:

- Thermal nominal continuous rated current  $I_{cth}$ :  $1.2 \times I_N$
- Thermal nominal short-time current  $I_{th}$ :  $60 \times I_N$ , 1 sec.
- Maximum operating voltage  $U_m$ : 1.2 kV,  $U_{eff}$
- Isolation test voltage: 6 kV,  $U_{eff}$ , 50 Hz, 1 Min.
- Lightning impulse voltage: 12kV, 1,2/50  $\mu$ s**
- Rated frequency: 50 / 60 Hz
- Applicable technical standards: DIN EN 61869, part 1 + 2

### Order list – secondary 5A

Secondary current		5A					
Primary current	Burden	Accuracy class					
		3	1	0.5	0.5S	0.2	0.2S
[ A ]	[ VA ]	Art.-no.	Art.-no.	Art.-no.	Art.-no.	Art.-no.	Art.-no.
75	1.25	50-0050					
80	1.25	50-0051					
100	2.5	50-0052					
125	2.5		50-0053				
150	2.5		50-0054				
200	1.5			50-2050	G50-5116		
	2.5			G50-5102			
	5		50-0055				
250	2.5			50-2051	G50-5117		
	5		50-0056				
300	2.5			50-2052	G50-5118		
	5		50-0057	G50-5105			
400	5		50-0058	50-2053	G50-5119		
500	2.5			G50-5107	G50-5120	G50-5128	
	5		50-0059	50-2054	G50-5121		
	10		50-0060	G50-5109			
600	2.5			G50-5110	G50-5129	G50-5129	G50-5134
	5		50-0061	50-2055	G50-5130	G50-5130	
	10		50-0062	50-2056			
750	2.5			G50-5113	G50-5131	G50-5131	G50-5135
	5		50-0063	50-2057	G50-5132	G50-5132	G50-5136
	10		50-0064	50-2058	G50-5133	G50-5133	
800	5		50-0065	50-2059			
	10		50-0066	50-2060			
1000	5		50-0067	50-2061			
	10		50-0068	50-2062			

### MBS AG

Eisbachstraße 51 · 74429 Sulzbach-Laufen  
Germany

Telefon: +49 7976 9851-0 · Telefax: +49 7976 9851-90  
E-Mail: info@mbs-ag.com · Web: www.mbs-ag.com

## Order list – secondary 1A

Secondary current		1A					
Primary current	Burden	Accuracy class					
		3	1	0.5	0.5S	0.2	0.2S
[ A ]	[ VA ]	Art.-no.	Art.-no.	Art.-no.	Art.-no.	Art.-no.	Art.-no.
75	1.25	50-0070					
80	1.25	50-0071					
100	2.5	50-0072					
125	2.5		50-0073				
150	2.5		50-0074				
200	1.5			50-2070	G50-7115		
	2.5			G50-7102			
	5		50-0075				
250	2.5			50-2071	G50-7116		
	5		50-0076				
300	2.5			50-2072	G50-7117		
	5		50-0077	G50-7105			
400	5		50-0078	50-2073	G50-7118		
	2.5			G50-7107	G50-7119	G50-7126	
500	5		50-0079	50-2074	G50-7120		
	10		50-0080	50-2075			
	2.5			G50-7110	G50-7121	G50-7127	
600	5		50-0081	50-2076	G50-7122	G50-7128	
	10		50-0082	50-2077	G50-7123		
	2.5			G50-7113	G50-7124	G50-7129	
750	5		50-0083	50-2078	G50-7125		
	10		50-0084				
800	5		50-0085	50-2079			
	10		50-0086	50-2080			
1000	5		50-0087	50-2081			
	10		50-0088	50-2082			

### Accessories

Quick-Fix (Art.-no.: 55021)



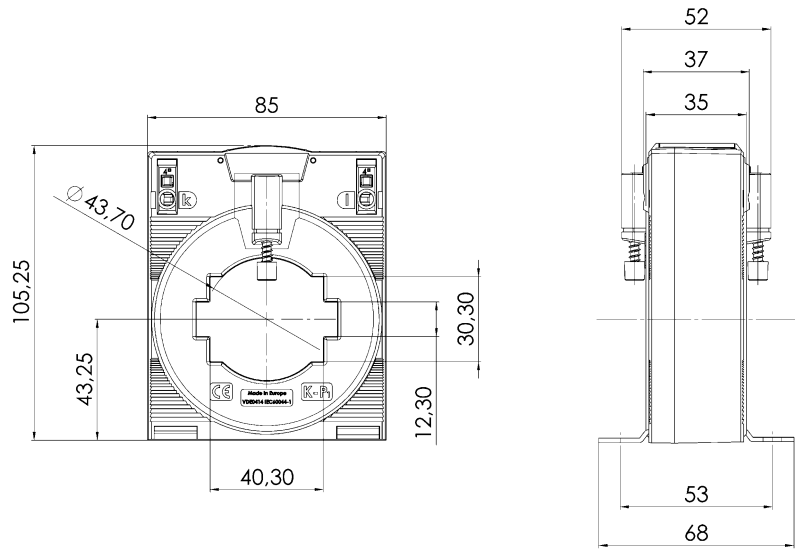
Sealed shutter (Art.-no.: 59057)



Snap-on mounting to clip the current transformer onto 35 mm DIN rail (Art.-no. 55015)



## CTB 51.35 Plug-in current transformer



### Dimension:

Primary conductor 1: 50 x 12 mm  
 Primary conductor 2: 40 x 30 mm  
 Round conductor: 43.7 mm  
 Transformer width: 85 mm  
 Transformer height: 105.25 mm  
 Total depth: 52 mm

### General technical specifications:

Thermal nominal continuous rated current  $I_{cth}$ :  $1.2 \times I_N$   
 Thermal nominal short-time current  $I_{th}$ :  $60 \times I_N$ , 1 sec.  
 Maximum operating voltage  $U_m$ : 1.2 kV,  $U_{eff}$   
 Isolation test voltage: 6 kV,  $U_{eff}$ , 50 Hz, 1 Min.

**Lightning impulse voltage: 12kV, 1,2/50  $\mu$ s**

Rated frequency: 50 / 60 Hz

Applicable technical standards: DIN EN 61869, part 1 + 2

### Order list – secondary 5A

Secondary current		5A				
Primary current	Burden	Accuracy class				
		1	0.5	0.5S	0.2	0.2S
[ A ]	[ VA ]	Art.-no.	Art.-no.	Art.-no.	Art.-no.	Art.-no.
100	1.25	50-0100				
	1.5		G50-5201	G50-5223		
125	1.5		G50-5202	G50-5224		
	2.5	50-0101				
150	2.5	50-0102	G50-5203	G50-5225		
200	1.5		50-2100	G50-5226	G50-5244	
	2.5		G50-5205	G50-5227		
	5	50-0103				
250	1.5		G50-5206	G50-5228	G50-5245	G50-5258
	2.5		50-2101	G50-5229	G50-5246	
	5	50-0104				
300	2.5		50-2102	G50-5230	G50-5247	G50-5259
	5	50-0105	G50-5209	G50-5231	G50-5248	
400	2.5		G50-5210	G50-5232	G50-5249	G50-5260
	5	50-0106	50-2103	G50-5233	G50-5250	
	10	50-0107				
500	2.5		G50-5212	G50-5234	G50-5251	G50-5261
	5	50-0108	50-2104	G50-5235	G50-5252	G50-5262
	10	50-0109	50-2105			
600	2.5		G50-5215	G50-5236	G50-5253	G50-5263
	5	50-0110	50-2106	G50-5237	G50-5254	G50-5264
	10	50-0111	50-2107	G50-5238		
750	2.5		G50-5218	G50-5239	G50-5255	G50-5265
	5	50-0112	50-2108	G50-5240	G50-5256	G50-5266
	10	50-0113	50-2109	G50-5241		
800	5	50-0114	50-2110			
	10	50-0115	50-2111			



## Order list – secondary 5A

Secondary current		5A				
Primary current	Burden	Accuracy class				
		1	0.5	0.5S	0.2	0.2S
[ A ]	[ VA ]	Art.-no.	Art.-no.	Art.-no.	Art.-no.	Art.-no.
1000	5	50-0116	50-2112	G50-5242	G50-5257	G50-5267
	10	50-0117	50-2113	G50-5243		
1200	5	50-0291	50-2114			
	10	50-0292	50-2115			
1250	5	50-0118	50-2116			
	10	50-0119	50-2117			

## Order list – secondary 1A

Secondary current		1A				
Primary current	Burden	Accuracy class				
		1	0.5	0.5S	0.2	0.2S
[ A ]	[ VA ]	Art.-no.	Art.-no.	Art.-no.	Art.-no.	Art.-no.
100	1.25	50-0120				
	1.5		G50-7201	G50-7224		
125	1.5		G50-7202	G50-7225		
	2.5	50-0121				
150	2.5	50-0122	G50-7203	G50-7226		
200	1.5		50-2120	G50-7227	G50-7246	
	2.5		G50-7205	G50-7228	G50-7247	
	5	50-0123				
250	1.5		G50-7206	G50-7229	G50-7248	G50-7260
	2.5		50-2121	G50-7230	G50-7249	
	5	50-0124	G50-7208	G50-7231		
300	2.5		50-2122	G50-7232	G50-7250	G50-7261
	5	50-0125	G50-7210	G50-7233	G50-7251	
400	2.5		G50-7211	G50-7234	G50-7252	G50-7262
	5	50-0126	50-2123	G50-7235		
	10	50-0127				
500	2.5		G50-7213	G50-7236	G50-7253	G50-7263
	5	50-0128	50-2124	G50-7237	G50-7254	G50-7264
	10	50-0129	50-2125			
600	2.5		G50-7216	G50-7238	G50-7255	G50-7265
	5	50-0130	50-2126	G50-7239	G50-7256	
	10	50-0131	50-2127	G50-7240		
750	2.5		G50-7219	G50-7241	G50-7257	G50-7266
	5	50-0132	50-2128	G50-7242	G50-7258	
	10	50-0133	50-2129	G50-7243		
800	5	50-0134	50-2130			
	10	50-0135	50-2131			
1000	5	50-0136	50-2132	G50-7244	G50-7259	G50-7267
	10	50-0137	50-2133	G50-7245		
1200	5	50-0293	50-2134			
	10	50-0294	50-2135			
1250	5	50-0138	50-2136			
	10	50-0139	50-2137			

## Accessories

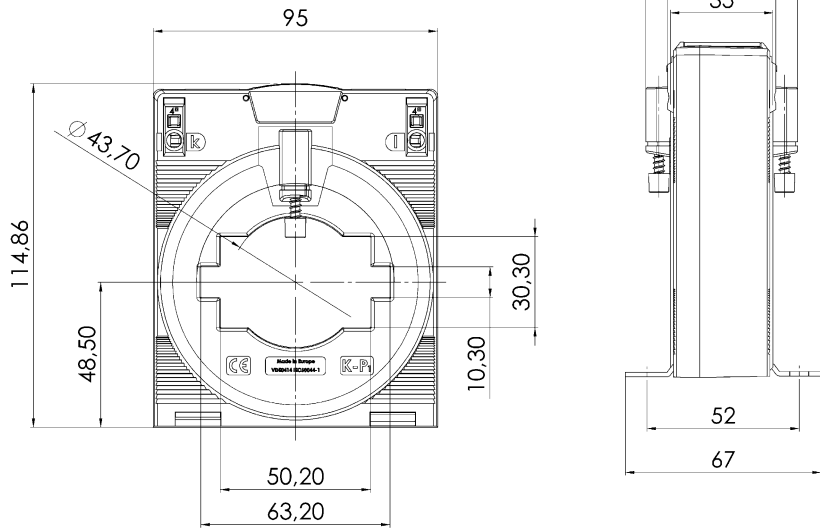
Quick-Fix (Art.-no.: 55021)



Sealed shutter (Art.-no.: 59058)



## CTB 61.35 Plug-in current transformer



### Dimension:

Primary conductor 1: 63 x 10 mm  
 Primary conductor 2: 50 x 30 mm  
 Round conductor: 43.7 mm  
 Transformer width: 95 mm  
 Transformer height: 114.86 mm  
 Total depth: 52 mm

### General technical specifications:

Thermal nominal continuous rated current  $I_{cth}$ : 1.2 x  $I_N$   
 Thermal nominal short-time current  $I_{th}$ : 60 x  $I_N$ , 1 sec.  
 Maximum operating voltage  $U_m$ : 1.2 kV,  $U_{eff}$   
 Isolation test voltage: 6 kV,  $U_{eff}$ , 50 Hz, 1 Min.

**Lightning impulse voltage: 12kV, 1,2/50  $\mu$ s**

Rated frequency: 50 / 60 Hz

Applicable technical standards: DIN EN 61869, part 1 + 2

### Order list – secondary 5A

Secondary current		5A				
Primary current	Burden	Accuracy class				
		1	0.5	0.5S	0.2	0.2S
[ A ]	[ VA ]	Art.-no.	Art.-no.	Art.-no.	Art.-no.	Art.-no.
200	1.5		G50-5301	G50-5326	G50-5350	
	2.5	50-0150	50-2150			
250	1.5		G50-5303	G50-5328	G50-5352	
	2.5		50-2151	G50-5329	G50-5353	
	5	50-0151	G50-5305	G50-5330		
300	2.5		G50-5306	G50-5331	G50-5354	G50-5365
	5	50-0152	50-2152	G50-5332	G50-5355	
400	2.5		G50-5308	G50-5333	G50-5356	G50-5366
	5	50-0153	50-2153	G50-5334	G50-5357	
500	2.5		G50-5310	G50-5335	G50-5358	G50-5367
	5	50-0154	50-2154	G50-5336	G50-5359	G50-5368
600	2.5		G50-5312	G50-5337	G50-5360	G50-5369
	5	50-0155	50-2155	G50-5338	G50-5361	G50-5370
750	5	50-0156	50-2156	G50-5339	G50-5362	G50-5371
	10	50-0157	50-2157	G50-5340		
800	5	50-0158	50-2158	G50-5341	G50-5363	
	10	50-0159	50-2159			
1000	5	50-0160	50-2160	G50-5342	G50-5364	
	10	50-0161	50-2161	G50-5343		
1200	5	50-0287	50-2162	G50-5344		
	10	50-0288	50-2163	G50-5345		

## Order list – secondary 5A

Secondary current		5A				
Primary current	Burden	Accuracy class				
		1	0.5	0.5S	0.2	0.2S
[ A ]	[ VA ]	Art.-no.	Art.-no.	Art.-no.	Art.-no.	Art.-no.
1250	5	50-0162	50-2164	G50-5346		
	10	50-0163	50-2165	G50-5347		
1500	5	50-0164	50-2166	G50-5348		
	10	50-0165	50-2167	G50-5349		
1600	5	50-0166	50-2168			
	10	50-0167	50-2169			

## Order list – secondary 1A

Secondary current		1A				
Primary current	Burden	Accuracy class				
		1	0.5	0.5S	0.2	0.2S
[ A ]	[ VA ]	Art.-no.	Art.-no.	Art.-no.	Art.-no.	Art.-no.
200	1.5		G50-7301	G50-7326	G50-7351	
	2.5	50-0170	50-2170	G50-7327	G50-7352	
250	1.5		G50-7303	G50-7328	G50-7353	G50-7373
	2.5		50-2171	G50-7329	G50-7354	
	5	50-0171	G50-7305	G50-7330		
300	2.5		G50-7306	G50-7331	G50-7355	G50-7374
	5	50-0172	50-2172	G50-7332	G50-7356	
400	2.5		G50-7308	G50-7333	G50-7357	G50-7375
	5	50-0153	50-2173	G50-7334	G50-7358	
500	2.5		G50-7310	G50-7335	G50-7359	G50-7376
	5	50-0173	50-2174	G50-7336	G50-7360	G50-7377
600	2.5		G50-7312	G50-7337	G50-7361	G50-7378
	5	50-0175	50-2175	G50-7338	G50-7362	G50-7379
750	5	50-0176	50-2176	G50-7339	G50-7363	G50-7380
	10	50-0177	50-2177	G50-7340		
800	5	50-0178	50-2178	G50-7341	G50-7364	
	10	50-0179	50-2179	G50-7342		
1000	5	50-0180	50-2180	G50-7343	G50-7365	
	10	50-0181	50-2181	G50-7344	G50-7366	
1200	5	50-0289	50-2182	G50-7345	G50-7367	
	10	50-0290	50-2183	G50-7346	G50-7368	
1250	5	50-0182	50-2184	G50-7347	G50-7369	
	10	50-0183	50-2185	G50-7348	G50-7370	
1500	5	50-0184	50-2186	G50-7349	G50-7371	
	10	50-0185	50-2187	G50-7350	G50-7372	
1600	5	50-0186	50-2188			
	10	50-0187	50-2189			

## Accessories

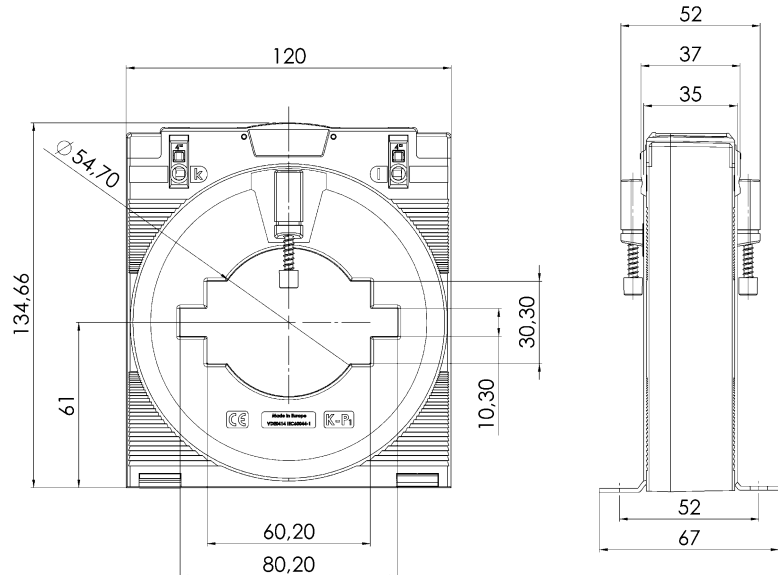
Quick-Fix (Art.-no.: 55021)



Sealed shutter (Art.-no.: 59059)



## CTB 81.35 Plug-in current transformer



### Dimension:

Primary conductor 1: 80 x 10 mm  
 Primary conductor 2: 60 x 30 mm  
 Round conductor: 54.7 mm  
 Transformer width: 120 mm  
 Transformer height: 134.66 mm  
 Total depth: 52 mm

### General technical specifications:

Thermal nominal continuous rated current  $I_{cth}$ :  $1.2 \times I_N$   
 Thermal nominal short-time current  $I_{th}$ :  $60 \times I_N$ , 1 sec.  
 Maximum operating voltage  $U_m$ : 1.2 kV,  $U_{eff}$   
 Isolation test voltage: 6 kV,  $U_{eff}$ , 50 Hz, 1 Min.  
**Lightning impulse voltage: 12kV, 1,2/50  $\mu$ s**  
 Rated frequency: 50 / 60 Hz  
 Applicable technical standards: DIN EN 61869, part 1 + 2

### Order list – secondary 5A

Secondary current		5A				
Primary current	Burden	Accuracy class				
		1	0.5	0.5S	0.2	0.2S
[ A ]	[ VA ]	Art.-no.	Art.-no.	Art.-no.	Art.-no.	Art.-no.
400	2.5		50-2190	G50-5430	G50-5457	
	5	50-0190				
500	2.5		50-2191	G50-5431	G50-5458	G50-5482
	5	50-0191	G50-5403			
600	2.5		G50-5404	G50-5432	G50-5459	G50-5483
	5	50-0192	50-2192	G50-5433	G50-5460	G50-5484
750	2.5		G50-5406	G50-5434	G50-5461	G50-5485
	5	50-0193	50-2193	G50-5435	G50-5462	G50-5486
	10	50-0194	50-2194			
800	2.5		G50-5409	G50-5436	G50-5463	G50-5487
	5	50-0195	50-2195	G50-5437	G50-5464	G50-5488
	10	50-0196	50-2196	G50-5438		
1000	5	50-0197	50-2197	G50-5439	G50-5465	G50-5489
	10	50-0198	50-2198	G50-5440	G50-5466	
	15		G50-5414	G50-5441		
1200	5	50-0283	50-2199	G50-5442	G50-5467	G50-5490
	10	50-0284	50-2200	G50-5443	G50-5468	
	15		G50-5417	G50-5444	G50-5469	
1250	5	50-0199	50-2201	G50-5445	G50-5470	G50-5491
	10	50-0200	50-2202	G50-5446	G50-5471	
	15		G50-5420	G50-5447	G50-5472	

## Order list – secondary 5A

Secondary current		5A				
Primary current	Burden	Accuracy class				
		1	0.5	0.5S	0.2	0.2S
[ A ]	[ VA ]	Art.-no.	Art.-no.	Art.-no.	Art.-no.	Art.-no.
1500	5	50-0201	50-2203	G50-5448	G50-5473	G50-5492
	10	50-0202	50-2204	G50-5449	G50-5474	
	15		G50-5423	G50-5450	G50-5475	
1600	5	50-0203	50-2205	G50-5451	G50-5476	G50-5493
	10	50-0204	50-2206	G50-5452	G50-5477	G50-5494
	15		G50-5426	G50-5453	G50-5478	
2000	5		G50-5427	G50-5454	G50-5479	G50-5495
	10	50-0205	50-2207	G50-5455	G50-5480	G50-5496
	15	50-0206	50-2208	G50-5456	G50-5481	

## Order list – secondary 1A

Secondary current		1A				
Primary current	Burden	Accuracy class				
		1	0.5	0.5S	0.2	0.2S
[ A ]	[ VA ]	Art.-no.	Art.-no.	Art.-no.	Art.-no.	Art.-no.
400	2.5		50-2210	G50-7430	G50-7459	
	5	50-0210				
500	2.5		G50-7402	G50-7431	G50-7460	G50-7484
	5	50-0211	50-2211	G50-7432		
600	2.5		G50-7404	G50-7433	G50-7461	G50-7485
	5	50-0212	50-2212	G50-7434	G50-7462	G50-7486
750	2.5		G50-7406	G50-7435	G50-7463	G50-7487
	5	50-0213	50-2213	G50-7436	G50-7464	G50-7488
	10	50-0214	50-2214	G50-7437		
800	2.5		G50-7409	G50-7438	G50-7465	G50-7489
	5	50-0215	50-2215	G50-7439	G50-7466	G50-7490
	10	50-0216	50-2216	G50-7440		
1000	5	50-0217	50-2217	G50-7441	G50-7467	G50-7491
	10	50-0218	50-2218	G50-7442	G50-7468	
	15		G50-7414	G50-7443		
1200	5	50-0285	50-2219	G50-7444	G50-7469	G50-7492
	10	50-0286	50-2220	G50-7445	G50-7470	G50-7493
	15		G50-7417	G50-7446	G50-7471	
1250	5	50-0219	50-2221	G50-7447	G50-7472	G50-7494
	10	50-0220	50-2222	G50-7448	G50-7473	G50-7495
	15		G50-7420	G50-7449	G50-7474	
1500	5	50-0221	50-2223	G50-7450	G50-7475	G50-7496
	10	50-0222	50-2224	G50-7451	G50-7476	G50-7497
	15		G50-7423	G50-7452	G50-7477	
1600	5	50-0223	50-2225	G50-7453	G50-7478	G50-7498
	10	50-0224	50-2226	G50-7454	G50-7479	G50-7499
	15		G50-7426	G50-7455	G50-7480	
2000	5		G50-7427	G50-7456	G50-7481	G50-7500
	10	50-0225	50-2227	G50-7457	G50-7482	G50-7501
	15	50-0226	50-2228	G50-7458	G50-7483	

## Accessories

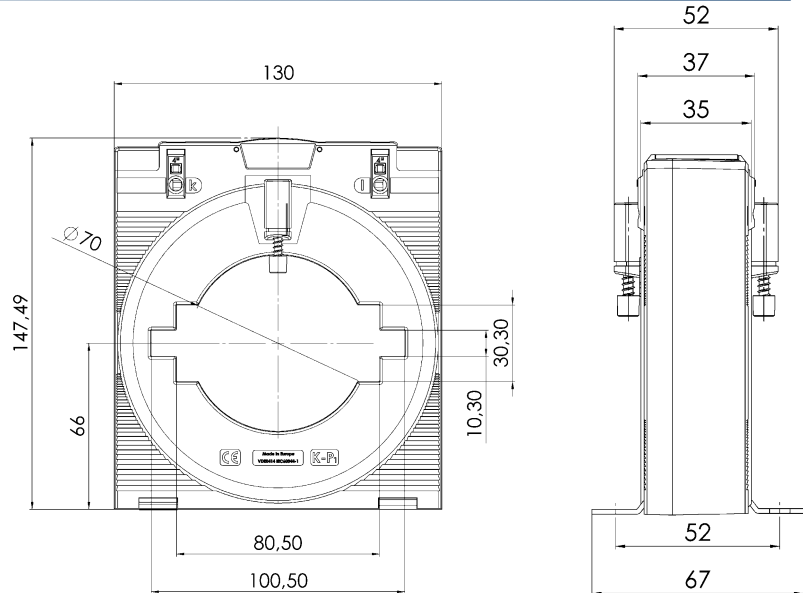
Quick-Fix (Art.-no.: 55021)



Sealed shutter  
(Art.-no.: 59059)



## CTB 101.35 Plug-in current transformer



### Dimension:

Primary conductor 1: 100 x 10 mm  
 Primary conductor 2: 80 x 30 mm  
 Round conductor: 70 mm  
 Transformer width: 130 mm  
 Transformer height: 147.49 mm  
 Total depth: 52 mm

### General technical specifications:

Thermal nominal continuous rated current  $I_{cth}$ :  $1.2 \times I_N$   
 Thermal nominal short-time current  $I_{th}$ :  $60 \times I_N$ , 1 sec.  
 Maximum operating voltage  $U_m$ : 1.2 kV,  $U_{eff}$   
 Isolation test voltage: 6 kV,  $U_{eff}$ , 50 Hz, 1 Min.  
**Lightning impulse voltage: 12kV, 1,2/50  $\mu$ s**  
 Rated frequency: 50 / 60 Hz  
 Applicable technical standards: DIN EN 61869, part 1 + 2

### Order list – secondary 5A

Secondary current		5A				
Primary current	Burden	Accuracy class				
		1	0.5	0.5S	0.2	0.2S
[ A ]	[ VA ]	Art.-no.	Art.-no.	Art.-no.	Art.-no.	Art.-no.
400	2.5		50-2230			
	5	50-0230				
500	2.5		G50-5602			
	5	50-0231	50-2231			
600	2.5		G50-5603	G50-5629		
	5		50-2232			
	10	50-0232				
750	2.5		G50-5605	G50-5630		
	5	50-0233	50-2233	G50-5631		
	10	50-0234	50-2234			
800	2.5		G50-5608	G50-5632		
	5	50-0235	50-2235	G50-5633		
	10	50-0236	50-2236			
1000	5	50-0237	50-2237	G50-5634	G50-5651	
	10	50-0238	50-2238	G50-5635		
	15		G50-5613			
1200	5	50-0279	50-2239	G50-5636	G50-5652	G50-5665
	10	50-0280	50-2240	G50-5637	G50-5653	
	15		G50-5616	G50-5638		
1250	5	50-0239	50-2241	G50-5639	G50-5654	G50-5666
	10	50-0240	50-2242	G50-5640	G50-5655	
	15		G50-5619	G50-5641		
1500	5		G50-5620	G50-5642	G50-5656	G50-5667
	10	50-0241	50-2243	G50-5643	G50-5657	
	15	50-0242	50-2244	G50-5644	G50-5658	

## Order list – secondary 5A

Secondary current		5A				
Primary current	Burden	Accuracy class				
		1	0.5	0.5S	0.2	0.2S
[ A ]	[ VA ]	Art.-no.	Art.-no.	Art.-no.	Art.-no.	Art.-no.
1600	5		G50-5623	G50-5645	G50-5659	G50-5668
	10	50-0243	50-2245	G50-5646	G50-5660	G50-5669
	15	50-0244	50-2246	G50-5647	G50-5661	
2000	5		G50-5626	G50-5648	G50-5662	G50-5670
	10	50-0245	50-2247	G50-5649	G50-5663	G50-5671
	15	50-0246	50-2248	G50-5650	G50-5664	
2500	10	50-0247	50-2249			
	15	50-0248	50-2250			

## Order list – secondary 1A

Secondary current		1A				
Primary current	Burden	Accuracy class				
		1	0.5	0.5S	0.2	0.2S
[ A ]	[ VA ]	Art.-no.	Art.-no.	Art.-no.	Art.-no.	Art.-no.
400	2.5		50-2260			
	5	50-0260				
500	2.5		G50-7602	G50-7629		
	5	50-0261	50-2261			
600	2.5		G50-7603	G50-7630		
	5		50-2262	G50-7631		
	10	50-0262				
750	2.5		G50-7605	G50-7632		
	5	50-0263	50-2263	G50-7633		
	10	50-0264	50-2264	G50-7634		
800	2.5		G50-7608	G50-7635	G50-7656	
	5	50-0265	50-2265	G50-7636		
	10	50-0266	50-2266	G50-7637		
1000	5	50-0267	50-2267	G50-7638	G50-7657	G50-7671
	10	50-0268	50-2268	G50-7639		
	15		G50-7613	G50-7640		
1200	5	50-0281	50-2269	G50-7641	G50-7658	G50-7672
	10	50-0282	50-2270	G50-7642	G50-7659	
	15		G50-7616	G50-7643		
1250	5	50-0269	50-2271	G50-7644	G50-7660	G50-7673
	10	50-0270	50-2272	G50-7645	G50-7661	
	15		G50-7619	G50-7646		
1500	5		G50-7620	G50-7647	G50-7662	G50-7674
	10	50-0271	50-2273	G50-7648	G50-7663	
	15	50-0272	50-2274	G50-7649	G50-7664	
1600	5		G50-7623	G50-7650	G50-7665	G50-7675
	10	50-0273	50-2275	G50-7651	G50-7666	G50-7676
	15	50-0274	50-2276	G50-7652	G50-7667	
2000	5		G50-7626	G50-7653	G50-7668	G50-7677
	10	50-0275	50-2277	G50-7654	G50-7669	G50-7678
	15	50-0276	50-2278	G50-7655	G50-7670	
2500	10	50-0277	50-2279			
	15	50-0278	50-2280			

## Accessories

Quick-Fix (Art.-no.: 55021)



Sealed shutter (Art.-no.: 59059)





- Current transformers for industry
- Current transformers for tariff
- Accessories for current transformers
- Medium-voltage CTs
- Bus bar insulators / -supports
- Shunts
- Voltage transformers
- All current sensors
- Measuring transducers
- Energy meters with or without MID approval
- Accessories for energy meters
- Panel board heaters, filter fans, roof fans and control units



[www.mbs-ag.com](http://www.mbs-ag.com)



MBS AG  
 Eisbachstraße 51 • 74429 Sulzbach-Laufen • Germany  
 Telefon: +49 7976 9851-0 • Telefax: +49 7976 9851-90  
[info@mbs-ag.com](mailto:info@mbs-ag.com) • [www.mbs-ag.com](http://www.mbs-ag.com)



Plug-in current transformer with „Cage Clamp®“,  
UL certificated



First CT series in the low-voltage with lightning impulse 12 kV / 1,2/50 $\mu$ s



[www.mbs-ag.com](http://www.mbs-ag.com)



## Certificate of Compliance

Certificate Number 20100426-E336996  
 Report Reference E336996, 2010 April 23  
 Issue Date 2010 April 26

Page 1 of 1



Issued to: **MBSAG**  
 Eisbachstr 51  
 Sulzbach-Laufen, 74429  
 Germany

This is to certify that representative samples of **INSTRUMENT TRANSFORMERS**  
 Series CTB

Have been investigated by Underwriters Laboratories in accordance with the Standard(s) indicated on this Certificate.

Standard(s) for Safety: **IEEE C57.13-1993**  
**CSA CAN3-C13-M83**

Additional Information: See **UL On-line Certification Directory** at [www.ul.com](http://www.ul.com) for additional information.

Only those products bearing the UL Recognized Component Marks for the U.S. and Canada should be considered as being covered by UL's Recognition and Follow-Up Service and meeting the appropriate U.S. and Canadian requirements.

The UL Recognized Component Mark for the U.S. generally consists of the manufacturer's identification and catalog number, model number or other product designation as specified under "Marking" for the particular Recognition as published in the appropriate UL Directory. As a supplementary means of identifying products that have been produced under UL's Component Recognition Program, UL's Recognized Component Mark **RA** may be used in conjunction with the required Recognized Marks. The Recognized Component Mark is required when specified in the UL Directory preceding the recognitions or under "Markings" for the individual recognitions. The UL Recognized Component Mark for Canada consists of the UL Recognized Mark for Canada **RA** and the manufacturer's identification and catalog number, model number or other product designation as specified under "Marking" for the particular Recognition as published in the appropriate UL Directory.

Look for the UL Recognized Component Mark on the product

William R. Carney  
 Director, North American Certification Programs  
 Underwriters Laboratories Inc.  
 Any information and documentation involving UL Mark services are provided on behalf of Underwriters Laboratories Inc. (UL) or any authorized licensee of UL.  
 For questions, please contact a local UL Customer Service Representative at <http://www.ul.com/global/eng/pages/corporate/contactus/>



# CERTIFICATE

The Certification Body  
 of TÜV SÜD Management Service GmbH  
 certifies that



**MBS AG**

Eisbachstraße 51, D-74429 Sulzbach-Laufen

has established and applies  
 a Quality Management System for

Development, production and sales of measuring transducers, energy meters, bus bar insulators/ holders, Low voltage current transformers series 0.5- split core current transformers, verification/ certification of electrical measuring instruments within the scope of the Official Testing Laboratory for Measuring Instruments.

An audit was performed, Report No. **70003062**  
 Proof has been furnished that the requirements  
 according to

**ISO 9001:2008**

are fulfilled. The certificate is valid until **2012-03-19**  
 Certificate Registration No. **12 100 20346 TMS**

Munich, 2010-06-11



GMS-TGA-ZM-07-92

TÜV SÜD Management Service GmbH • Zertifizierstelle • Ridlerstraße 65 • 80339 München • Germany

TUV®

## MBS AG

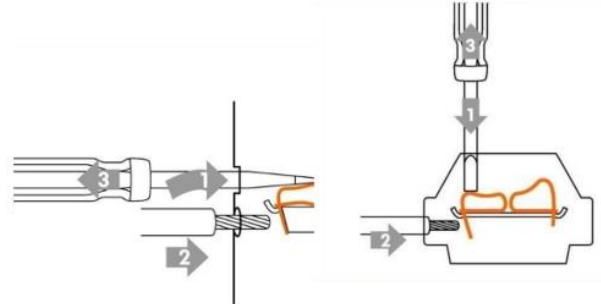
Eisbachstraße 51 · 74429 Sulzbach-Laufen  
 Germany

Telefon: +49 7976 9851-0 · Telefax: +49 7976 9851-90  
 E-Mail: [info@mbs-ag.com](mailto:info@mbs-ag.com) · Web: [www.mbs-ag.com](http://www.mbs-ag.com)

## Plug-in current transformer with screwless connection technology „Cage Clamp®“, UL certificated



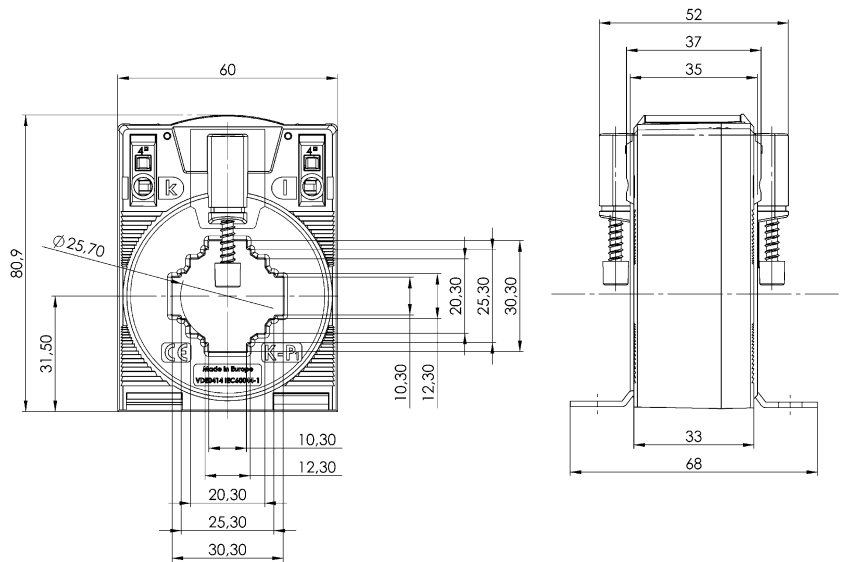
Screwless connection technology  
„Cage Clamp®“ (In front or on top)



### Further information:

- World's first CT with screwless connection technology for the secondary caps – „Cage Clamp®“
- **UL certification.** Certificate no.: 20100426-E336996
- Innovative time-saving connection of either solid or flexible terminals not exceeding 4 mm<sup>2</sup> to be fitted either on the top or bottom or in the center without ferrules.
- Vibration and shock resistant
- Maintenance free gas-tight connection
- High current carrying capacity
- Low voltage CT for maximum operating voltage to 1.2 kV. Use in 690 V networks possible
- Isolation test voltage: 6 kV, U<sub>eff.</sub>, 50 Hz, 1 min.
- **Higher isolation level 1.2/6/12 kV – Tested lightning impulse voltage for 690 V switchgear according IEC 61439-1 und -2!**
- Primary nominal current ranges from 50 A up to 2500 A
- Accuracy classes 3; 1; 0,5; 0,5S, 0,2 und 0,2S
- Can be overloaded continuously with 120 % of the primary rated current
- Suitable for nominal frequencies of 50 Hz or 60 Hz
- Over-current limiting factor: See rating plate
- Isolation class: E
- Operating temperature in the range -5°C to 50°C
- Storage temperature in the range -25°C to 70°C
- Unbreakable plastic housing of grey polycarbonate, self-extinguishing, UL94-V0 and flame resistant
- Packaging unit: 1 pc.
- Customs tariff number: 85043129

## CTB 31.35 Plug-in current transformer



### Dimension:

- Bus bar 1: 30 x 10 mm
- Bus bar 2: 25 x 12 mm
- Bus bar 3: 20 x 20 mm
- Round conductor: 25.7 mm
- Transformer width: 60 mm
- Transformer height: 80.9 mm
- Total depth: 52 mm

### General technical specifications:

- Thermal nominal continuous rated current  $I_{cth}$ :  $1.2 \times I_N$
- Thermal nominal short-time current  $I_{th}$ :  $60 \times I_N$ , 1 sec.
- Maximum operating voltage  $U_m$ : 1.2 kV,  $U_{eff}$
- Isolation test voltage: 6 kV,  $U_{eff}$ , 50 Hz, 1 Min.
- Lightning impulse voltage: 12kV, 1,2/50  $\mu$ s**
- Rated frequency: 50 / 60 Hz
- Applicable technical standards: DIN EN 61869, part 1 + 2

### Order list – secondary 5A

Secondary current		5A					
Primary current	Burden	Accuracy class					
		3	1	0.5	0.5S	0.2	0.2S
[ A ]	[ VA ]	Art.-no.	Art.-no.	Art.-no.	Art.-no.	Art.-no.	Art.-no.
50	1.25	50-0001					
60	1.25		50-0017				
75	2.5		50-0018				
80	2.5		50-0019				
100	1.5			G50-5001	G50-5024	G50-5046	
	2.5		50-0002	G50-5002	G50-5025		
125	1.5			50-2001	G50-5027		
	2.5		50-0003	G50-5004	G50-5028		
150	1.5				G50-5029	G50-5049	G50-5065
	2.5			50-2002	G50-5030		
	5		50-0004				
200	1.5				G50-5031	G50-5050	G50-5066
	2.5			50-2003	G50-5032	G50-5051	
	5		50-0005	G50-5010	G50-5033		
250	2.5			G50-5011	G50-5034	G50-5052	G50-5067
	5		50-0006	50-2004	G50-5035	G50-5053	
300	5		50-0007	50-2005	G50-5037	G50-5035	G50-5067
	10		50-0008				
400	5		50-0009	50-2006	G50-5038	G50-5056	G50-5070
	10		50-0010	50-2007			
500	5		50-0011	50-2008	G50-5040	G50-5058	G50-5072
	10		50-0012	50-2009	G50-5041		
600	5		50-0013	50-2010	G50-5042	G50-5059	G50-5073
	10		50-0014	50-2011	G50-5043	G50-5060	
750	5		50-0015	50-2012	G50-5044	G50-5061	G50-5074
	10		50-0016	50-2013	G50-5045	G50-5062	G50-5075

## Order list – secondary 1A

Secondary current		1A					
Primary current	Burden	Accuracy class					
		3	1	0.5	0.5S	0.2	0.2S
[ A ]	[ VA ]	Art.-no.	Art.-no.	Art.-no.	Art.-no.	Art.-no.	Art.-no.
50	1.25	50-0021					
60	1.25		50-0037				
75	2.5		50-0038				
80	2.5		50-0039				
100	1.5			G50-7001	G50-7024	G50-7046	
	2.5		50-0022	G50-7002	G50-7025		
125	1			G50-7003	G50-7026	G50-7047	G50-7061
	1.5			50-2021	G50-7027	G50-7048	
	2.5		50-0023	G50-7005	G50-7028		
150	1.5			G50-7006	G50-7029	G50-7049	G50-7062
	2.5			50-2022	G50-7030		
	5		50-0024				
200	1.5			G50-7008	G50-7031	G50-7050	G50-7063
	2.5			50-2023	G50-7032	G50-7051	G50-7064
	5		50-0025	G50-7010	G50-7033		
250	2.5			G50-7011	G50-7034	G50-7052	G50-7065
	5		50-0026	50-2024	G50-7035		
300	2.5				G50-7036	G50-7053	G50-7066
	5		50-0027	50-2025	G50-7037	G50-7054	
	10		50-0028				
400	5		50-0029	50-2026	G50-7038	G50-7055	G50-7067
	10		50-0030	50-2027			
500	2.5				G50-7039	G50-7056	G50-7068
	5		50-0031	50-2028	G50-7040	G50-7057	
	10		50-0032	50-2029	G50-7041		
600	5		50-0033	50-2030	G50-7042	G50-7058	G50-7069
	10		50-0034	50-2031	G50-7043		
750	5		50-0035	50-2032	G50-7044	G50-7059	G50-7070
	10		50-0036	50-2033	G50-7045	G50-7060	G50-7071

## Accessories

Quick-Fix (Art.-no.: 55021)



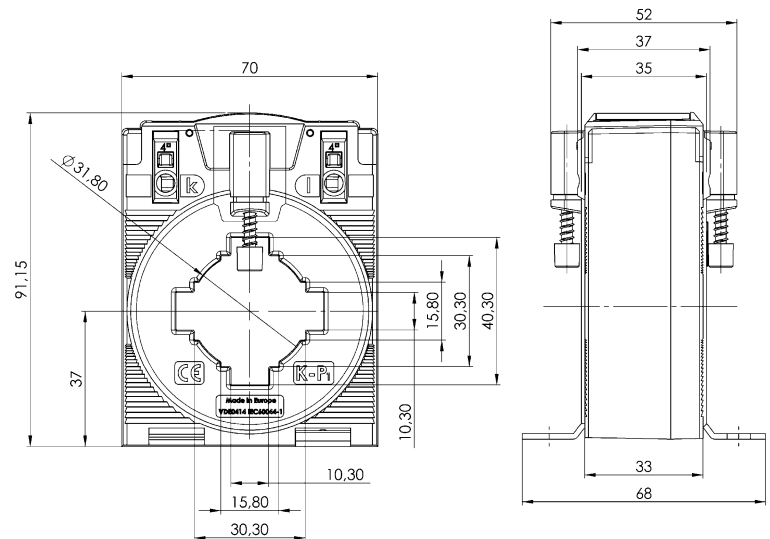
Sealed shutter (Art.-no.: 59057)



Snap-on mounting to clip the current transformer onto 35 mm DIN rail (Art.-no. 55015)



## CTB 41.35 Plug-in current transformer



### Dimension:

Primary conductor 1: 40 x 10 mm  
 Primary conductor 2: 30 x 15 mm  
 Round conductor: 31.8 mm  
 Transformer width: 70 mm  
 Transformer height: 91.15 mm  
 Total depth: 52 mm

### General technical specifications:

Thermal nominal continuous rated current  $I_{cth}$ :  $1.2 \times I_N$   
 Thermal nominal short-time current  $I_{th}$ :  $60 \times I_N$ , 1 sec.  
 Maximum operating voltage  $U_m$ : 1.2 kV,  $U_{eff}$   
 Isolation test voltage: 6 kV,  $U_{eff}$ , 50 Hz, 1 Min.

**Lightning impulse voltage: 12kV, 1,2/50  $\mu$ s**

Rated frequency: 50 / 60 Hz

Applicable technical standards: DIN EN 61869, part 1 + 2

### Order list – secondary 5A

Secondary current		5A					
Primary current	Burden	Accuracy class					
		3	1	0.5	0.5S	0.2	0.2S
[ A ]	[ VA ]	Art.-no.	Art.-no.	Art.-no.	Art.-no.	Art.-no.	Art.-no.
75	1.25	50-0050					
80	1.25	50-0051					
100	2.5	50-0052					
125	2.5		50-0053				
150	2.5		50-0054				
200	1.5			50-2050	G50-5116		
	2.5			G50-5102			
	5		50-0055				
250	2.5			50-2051	G50-5117		
	5		50-0056				
300	2.5			50-2052	G50-5118		
	5		50-0057	G50-5105			
400	5		50-0058	50-2053	G50-5119		
500	2.5			G50-5107	G50-5120	G50-5128	
	5		50-0059	50-2054	G50-5121		
	10		50-0060	G50-5109			
600	2.5			G50-5110	G50-5129	G50-5129	G50-5134
	5		50-0061	50-2055	G50-5130	G50-5130	
	10		50-0062	50-2056			
750	2.5			G50-5113	G50-5131	G50-5131	G50-5135
	5		50-0063	50-2057	G50-5132	G50-5132	G50-5136
	10		50-0064	50-2058	G50-5133	G50-5133	
800	5		50-0065	50-2059			
	10		50-0066	50-2060			
1000	5		50-0067	50-2061			
	10		50-0068	50-2062			

### MBS AG

Eisbachstraße 51 · 74429 Sulzbach-Laufen  
 Germany

Telefon: +49 7976 9851-0 · Telefax: +49 7976 9851-90  
 E-Mail: info@mbs-ag.com · Web: www.mbs-ag.com

## Order list – secondary 1A

Secondary current		1A					
Primary current	Burden	Accuracy class					
		3	1	0.5	0.5S	0.2	0.2S
[ A ]	[ VA ]	Art.-no.	Art.-no.	Art.-no.	Art.-no.	Art.-no.	Art.-no.
75	1.25	50-0070					
80	1.25	50-0071					
100	2.5	50-0072					
125	2.5		50-0073				
150	2.5		50-0074				
200	1.5			50-2070	G50-7115		
	2.5			G50-7102			
	5		50-0075				
250	2.5			50-2071	G50-7116		
	5		50-0076				
300	2.5			50-2072	G50-7117		
	5		50-0077	G50-7105			
400	5		50-0078	50-2073	G50-7118		
	2.5			G50-7107	G50-7119	G50-7126	
500	5		50-0079	50-2074	G50-7120		
	10		50-0080	50-2075			
	2.5			G50-7110	G50-7121	G50-7127	
600	5		50-0081	50-2076	G50-7122	G50-7128	
	10		50-0082	50-2077	G50-7123		
	2.5			G50-7113	G50-7124	G50-7129	
750	5		50-0083	50-2078	G50-7125		
	10		50-0084				
800	5		50-0085	50-2079			
	10		50-0086	50-2080			
1000	5		50-0087	50-2081			
	10		50-0088	50-2082			

### Accessories

Quick-Fix (Art.-no.: 55021)



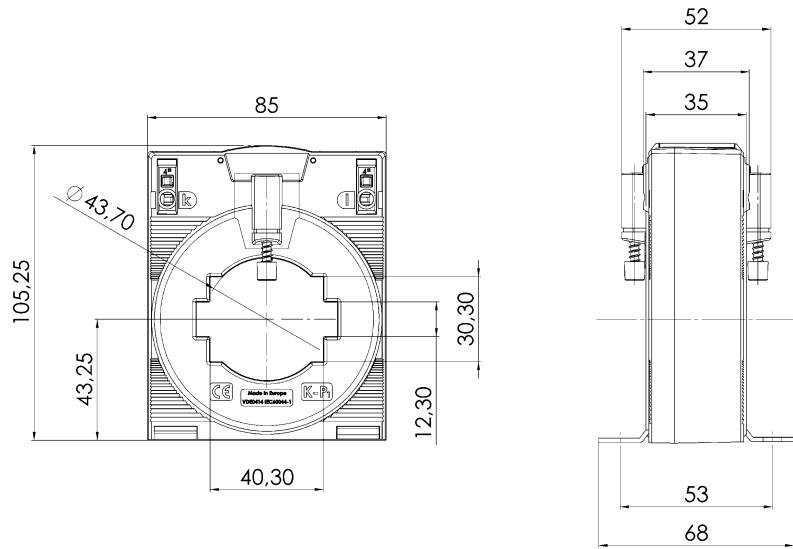
Sealed shutter (Art.-no.: 59057)



Snap-on mounting to clip the current transformer onto 35 mm DIN rail (Art.-no. 55015)



## CTB 51.35 Plug-in current transformer



### Dimension:

Primary conductor 1: 50 x 12 mm  
 Primary conductor 2: 40 x 30 mm  
 Round conductor: 43.7 mm  
 Transformer width: 85 mm  
 Transformer height: 105.25 mm  
 Total depth: 52 mm

### General technical specifications:

Thermal nominal continuous rated current  $I_{cth}$ :  $1.2 \times I_N$   
 Thermal nominal short-time current  $I_{th}$ :  $60 \times I_N$ , 1 sec.  
 Maximum operating voltage  $U_m$ : 1.2 kV,  $U_{eff}$   
 Isolation test voltage: 6 kV,  $U_{eff}$ , 50 Hz, 1 Min.

**Lightning impulse voltage: 12kV, 1,2/50  $\mu$ s**

Rated frequency: 50 / 60 Hz

Applicable technical standards: DIN EN 61869, part 1 + 2

### Order list – secondary 5A

Secondary current		5A				
Primary current	Burden	Accuracy class				
		1	0.5	0.5S	0.2	0.2S
[ A ]	[ VA ]	Art.-no.	Art.-no.	Art.-no.	Art.-no.	Art.-no.
100	1.25	50-0100				
	1.5		G50-5201	G50-5223		
125	1.5		G50-5202	G50-5224		
	2.5	50-0101				
150	2.5	50-0102	G50-5203	G50-5225		
200	1.5		50-2100	G50-5226	G50-5244	
	2.5		G50-5205	G50-5227		
	5	50-0103				
250	1.5		G50-5206	G50-5228	G50-5245	G50-5258
	2.5		50-2101	G50-5229	G50-5246	
	5	50-0104				
300	2.5		50-2102	G50-5230	G50-5247	G50-5259
	5	50-0105	G50-5209	G50-5231	G50-5248	
400	2.5		G50-5210	G50-5232	G50-5249	G50-5260
	5	50-0106	50-2103	G50-5233	G50-5250	
	10	50-0107				
500	2.5		G50-5212	G50-5234	G50-5251	G50-5261
	5	50-0108	50-2104	G50-5235	G50-5252	G50-5262
	10	50-0109	50-2105			
600	2.5		G50-5215	G50-5236	G50-5253	G50-5263
	5	50-0110	50-2106	G50-5237	G50-5254	G50-5264
	10	50-0111	50-2107	G50-5238		
750	2.5		G50-5218	G50-5239	G50-5255	G50-5265
	5	50-0112	50-2108	G50-5240	G50-5256	G50-5266
	10	50-0113	50-2109	G50-5241		
800	5	50-0114	50-2110			
	10	50-0115	50-2111			



## Order list – secondary 5A

Secondary current		5A				
Primary current	Burden	Accuracy class				
		1	0.5	0.5S	0.2	0.2S
[ A ]	[ VA ]	Art.-no.	Art.-no.	Art.-no.	Art.-no.	Art.-no.
1000	5	50-0116	50-2112	G50-5242	G50-5257	G50-5267
	10	50-0117	50-2113	G50-5243		
1200	5	50-0291	50-2114			
	10	50-0292	50-2115			
1250	5	50-0118	50-2116			
	10	50-0119	50-2117			

## Order list – secondary 1A

Secondary current		1A				
Primary current	Burden	Accuracy class				
		1	0.5	0.5S	0.2	0.2S
[ A ]	[ VA ]	Art.-no.	Art.-no.	Art.-no.	Art.-no.	Art.-no.
100	1.25	50-0120				
	1.5		G50-7201	G50-7224		
125	1.5		G50-7202	G50-7225		
	2.5	50-0121				
150	2.5	50-0122	G50-7203	G50-7226		
200	1.5		50-2120	G50-7227	G50-7246	
	2.5		G50-7205	G50-7228	G50-7247	
	5	50-0123				
250	1.5		G50-7206	G50-7229	G50-7248	G50-7260
	2.5		50-2121	G50-7230	G50-7249	
	5	50-0124	G50-7208	G50-7231		
300	2.5		50-2122	G50-7232	G50-7250	G50-7261
	5	50-0125	G50-7210	G50-7233	G50-7251	
400	2.5		G50-7211	G50-7234	G50-7252	G50-7262
	5	50-0126	50-2123	G50-7235		
	10	50-0127				
500	2.5		G50-7213	G50-7236	G50-7253	G50-7263
	5	50-0128	50-2124	G50-7237	G50-7254	G50-7264
	10	50-0129	50-2125			
600	2.5		G50-7216	G50-7238	G50-7255	G50-7265
	5	50-0130	50-2126	G50-7239	G50-7256	
	10	50-0131	50-2127	G50-7240		
750	2.5		G50-7219	G50-7241	G50-7257	G50-7266
	5	50-0132	50-2128	G50-7242	G50-7258	
	10	50-0133	50-2129	G50-7243		
800	5	50-0134	50-2130			
	10	50-0135	50-2131			
1000	5	50-0136	50-2132	G50-7244	G50-7259	G50-7267
	10	50-0137	50-2133	G50-7245		
1200	5	50-0293	50-2134			
	10	50-0294	50-2135			
1250	5	50-0138	50-2136			
	10	50-0139	50-2137			

## Accessories

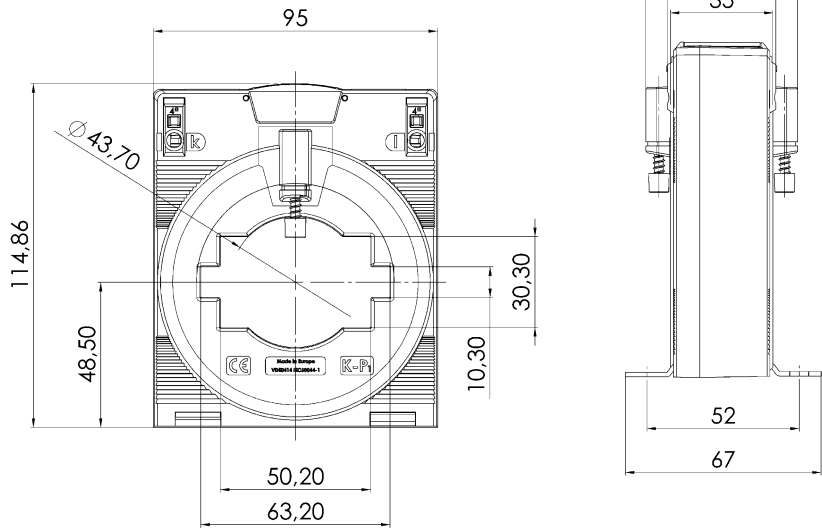
Quick-Fix (Art.-no.: 55021)



Sealed shutter (Art.-no.: 59058)



## CTB 61.35 Plug-in current transformer



### Dimension:

- Primary conductor 1: 63 x 10 mm
- Primary conductor 2: 50 x 30 mm
- Round conductor: 43.7 mm
- Transformer width: 95 mm
- Transformer height: 114.86 mm
- Total depth: 52 mm

### General technical specifications:

- Thermal nominal continuous rated current  $I_{cth}$ : 1.2 x  $I_N$
- Thermal nominal short-time current  $I_{th}$ : 60 x  $I_N$ , 1 sec.
- Maximum operating voltage  $U_m$ : 1.2 kV,  $U_{eff}$
- Isolation test voltage: 6 kV,  $U_{eff}$ , 50 Hz, 1 Min.
- Lightning impulse voltage: 12kV, 1,2/50  $\mu$ s**
- Rated frequency: 50 / 60 Hz
- Applicable technical standards: DIN EN 61869, part 1 + 2

### Order list – secondary 5A

Secondary current		5A				
Primary current	Burden	Accuracy class				
		1	0.5	0.5S	0.2	0.2S
[ A ]	[ VA ]	Art.-no.	Art.-no.	Art.-no.	Art.-no.	Art.-no.
200	1.5		G50-5301	G50-5326	G50-5350	
	2.5	50-0150	50-2150			
250	1.5		G50-5303	G50-5328	G50-5352	
	2.5		50-2151	G50-5329	G50-5353	
	5	50-0151	G50-5305	G50-5330		
300	2.5		G50-5306	G50-5331	G50-5354	G50-5365
	5	50-0152	50-2152	G50-5332	G50-5355	
400	2.5		G50-5308	G50-5333	G50-5356	G50-5366
	5	50-0153	50-2153	G50-5334	G50-5357	
500	2.5		G50-5310	G50-5335	G50-5358	G50-5367
	5	50-0154	50-2154	G50-5336	G50-5359	G50-5368
600	2.5		G50-5312	G50-5337	G50-5360	G50-5369
	5	50-0155	50-2155	G50-5338	G50-5361	G50-5370
750	5	50-0156	50-2156	G50-5339	G50-5362	G50-5371
	10	50-0157	50-2157	G50-5340		
800	5	50-0158	50-2158	G50-5341	G50-5363	
	10	50-0159	50-2159			
1000	5	50-0160	50-2160	G50-5342	G50-5364	
	10	50-0161	50-2161	G50-5343		
1200	5	50-0287	50-2162	G50-5344		
	10	50-0288	50-2163	G50-5345		

## Order list – secondary 5A

Secondary current		5A				
Primary current	Burden	Accuracy class				
		1	0.5	0.5S	0.2	0.2S
[ A ]	[ VA ]	Art.-no.	Art.-no.	Art.-no.	Art.-no.	Art.-no.
1250	5	50-0162	50-2164	G50-5346		
	10	50-0163	50-2165	G50-5347		
1500	5	50-0164	50-2166	G50-5348		
	10	50-0165	50-2167	G50-5349		
1600	5	50-0166	50-2168			
	10	50-0167	50-2169			

## Order list – secondary 1A

Secondary current		1A				
Primary current	Burden	Accuracy class				
		1	0.5	0.5S	0.2	0.2S
[ A ]	[ VA ]	Art.-no.	Art.-no.	Art.-no.	Art.-no.	Art.-no.
200	1.5		G50-7301	G50-7326	G50-7351	
	2.5	50-0170	50-2170	G50-7327	G50-7352	
250	1.5		G50-7303	G50-7328	G50-7353	G50-7373
	2.5		50-2171	G50-7329	G50-7354	
	5	50-0171	G50-7305	G50-7330		
300	2.5		G50-7306	G50-7331	G50-7355	G50-7374
	5	50-0172	50-2172	G50-7332	G50-7356	
400	2.5		G50-7308	G50-7333	G50-7357	G50-7375
	5	50-0153	50-2173	G50-7334	G50-7358	
500	2.5		G50-7310	G50-7335	G50-7359	G50-7376
	5	50-0173	50-2174	G50-7336	G50-7360	G50-7377
600	2.5		G50-7312	G50-7337	G50-7361	G50-7378
	5	50-0175	50-2175	G50-7338	G50-7362	G50-7379
750	5	50-0176	50-2176	G50-7339	G50-7363	G50-7380
	10	50-0177	50-2177	G50-7340		
800	5	50-0178	50-2178	G50-7341	G50-7364	
	10	50-0179	50-2179	G50-7342		
1000	5	50-0180	50-2180	G50-7343	G50-7365	
	10	50-0181	50-2181	G50-7344	G50-7366	
1200	5	50-0289	50-2182	G50-7345	G50-7367	
	10	50-0290	50-2183	G50-7346	G50-7368	
1250	5	50-0182	50-2184	G50-7347	G50-7369	
	10	50-0183	50-2185	G50-7348	G50-7370	
1500	5	50-0184	50-2186	G50-7349	G50-7371	
	10	50-0185	50-2187	G50-7350	G50-7372	
1600	5	50-0186	50-2188			
	10	50-0187	50-2189			

## Accessories

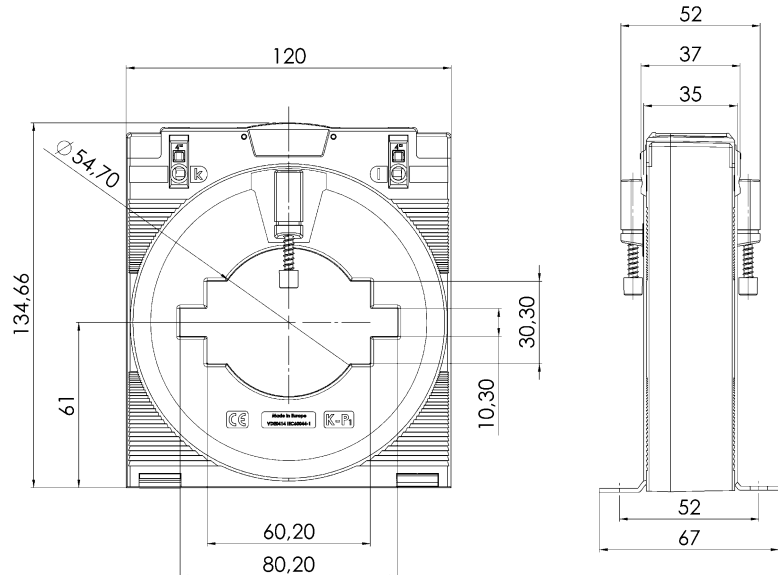
Quick-Fix (Art.-no.: 55021)



Sealed shutter (Art.-no.: 59059)



## CTB 81.35 Plug-in current transformer



### Dimension:

Primary conductor 1: 80 x 10 mm  
 Primary conductor 2: 60 x 30 mm  
 Round conductor: 54.7 mm  
 Transformer width: 120 mm  
 Transformer height: 134.66 mm  
 Total depth: 52 mm

### General technical specifications:

Thermal nominal continuous rated current  $I_{cth}$ :  $1.2 \times I_N$   
 Thermal nominal short-time current  $I_{th}$ :  $60 \times I_N$ , 1 sec.  
 Maximum operating voltage  $U_m$ : 1.2 kV,  $U_{eff}$   
 Isolation test voltage: 6 kV,  $U_{eff}$ , 50 Hz, 1 Min.  
**Lightning impulse voltage: 12kV, 1,2/50  $\mu$ s**  
 Rated frequency: 50 / 60 Hz  
 Applicable technical standards: DIN EN 61869, part 1 + 2

### Order list – secondary 5A

Secondary current		5A				
Primary current	Burden	Accuracy class				
		1	0.5	0.5S	0.2	0.2S
[ A ]	[ VA ]	Art.-no.	Art.-no.	Art.-no.	Art.-no.	Art.-no.
400	2.5		50-2190	G50-5430	G50-5457	
	5	50-0190				
500	2.5		50-2191	G50-5431	G50-5458	G50-5482
	5	50-0191	G50-5403			
600	2.5		G50-5404	G50-5432	G50-5459	G50-5483
	5	50-0192	50-2192	G50-5433	G50-5460	G50-5484
750	2.5		G50-5406	G50-5434	G50-5461	G50-5485
	5	50-0193	50-2193	G50-5435	G50-5462	G50-5486
	10	50-0194	50-2194			
800	2.5		G50-5409	G50-5436	G50-5463	G50-5487
	5	50-0195	50-2195	G50-5437	G50-5464	G50-5488
	10	50-0196	50-2196	G50-5438		
1000	5	50-0197	50-2197	G50-5439	G50-5465	G50-5489
	10	50-0198	50-2198	G50-5440	G50-5466	
	15		G50-5414	G50-5441		
1200	5	50-0283	50-2199	G50-5442	G50-5467	G50-5490
	10	50-0284	50-2200	G50-5443	G50-5468	
	15		G50-5417	G50-5444	G50-5469	
1250	5	50-0199	50-2201	G50-5445	G50-5470	G50-5491
	10	50-0200	50-2202	G50-5446	G50-5471	
	15		G50-5420	G50-5447	G50-5472	

## Order list – secondary 5A

Secondary current		5A				
Primary current	Burden	Accuracy class				
		1	0.5	0.5S	0.2	0.2S
[ A ]	[ VA ]	Art.-no.	Art.-no.	Art.-no.	Art.-no.	Art.-no.
1500	5	50-0201	50-2203	G50-5448	G50-5473	G50-5492
	10	50-0202	50-2204	G50-5449	G50-5474	
	15		G50-5423	G50-5450	G50-5475	
1600	5	50-0203	50-2205	G50-5451	G50-5476	G50-5493
	10	50-0204	50-2206	G50-5452	G50-5477	G50-5494
	15		G50-5426	G50-5453	G50-5478	
2000	5		G50-5427	G50-5454	G50-5479	G50-5495
	10	50-0205	50-2207	G50-5455	G50-5480	G50-5496
	15	50-0206	50-2208	G50-5456	G50-5481	

## Order list – secondary 1A

Secondary current		1A				
Primary current	Burden	Accuracy class				
		1	0.5	0.5S	0.2	0.2S
[ A ]	[ VA ]	Art.-no.	Art.-no.	Art.-no.	Art.-no.	Art.-no.
400	2.5		50-2210	G50-7430	G50-7459	
	5	50-0210				
500	2.5		G50-7402	G50-7431	G50-7460	G50-7484
	5	50-0211	50-2211	G50-7432		
600	2.5		G50-7404	G50-7433	G50-7461	G50-7485
	5	50-0212	50-2212	G50-7434	G50-7462	G50-7486
750	2.5		G50-7406	G50-7435	G50-7463	G50-7487
	5	50-0213	50-2213	G50-7436	G50-7464	G50-7488
	10	50-0214	50-2214	G50-7437		
800	2.5		G50-7409	G50-7438	G50-7465	G50-7489
	5	50-0215	50-2215	G50-7439	G50-7466	G50-7490
	10	50-0216	50-2216	G50-7440		
1000	5	50-0217	50-2217	G50-7441	G50-7467	G50-7491
	10	50-0218	50-2218	G50-7442	G50-7468	
	15		G50-7414	G50-7443		
1200	5	50-0285	50-2219	G50-7444	G50-7469	G50-7492
	10	50-0286	50-2220	G50-7445	G50-7470	G50-7493
	15		G50-7417	G50-7446	G50-7471	
1250	5	50-0219	50-2221	G50-7447	G50-7472	G50-7494
	10	50-0220	50-2222	G50-7448	G50-7473	G50-7495
	15		G50-7420	G50-7449	G50-7474	
1500	5	50-0221	50-2223	G50-7450	G50-7475	G50-7496
	10	50-0222	50-2224	G50-7451	G50-7476	G50-7497
	15		G50-7423	G50-7452	G50-7477	
1600	5	50-0223	50-2225	G50-7453	G50-7478	G50-7498
	10	50-0224	50-2226	G50-7454	G50-7479	G50-7499
	15		G50-7426	G50-7455	G50-7480	
2000	5		G50-7427	G50-7456	G50-7481	G50-7500
	10	50-0225	50-2227	G50-7457	G50-7482	G50-7501
	15	50-0226	50-2228	G50-7458	G50-7483	

## Accessories

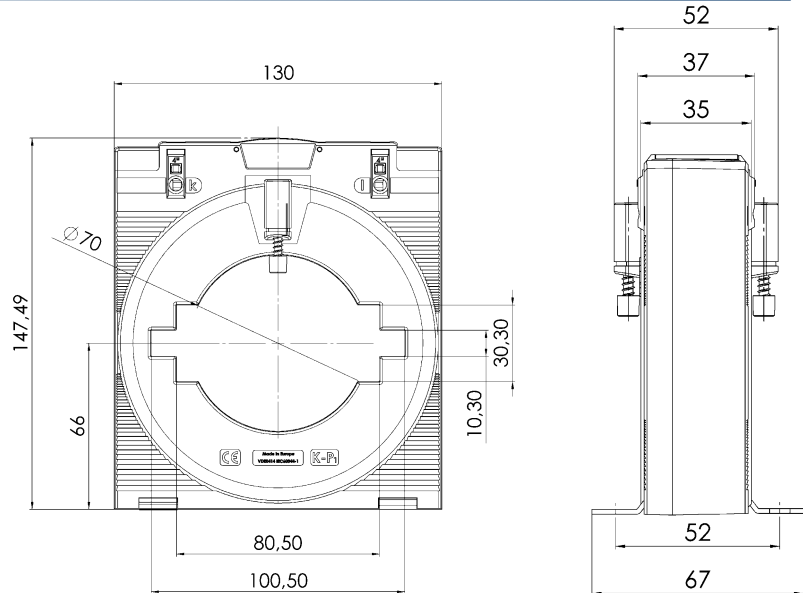
Quick-Fix (Art.-no.: 55021)



Sealed shutter  
(Art.-no.: 59059)



## CTB 101.35 Plug-in current transformer



### Dimension:

Primary conductor 1: 100 x 10 mm  
 Primary conductor 2: 80 x 30 mm  
 Round conductor: 70 mm  
 Transformer width: 130 mm  
 Transformer height: 147.49 mm  
 Total depth: 52 mm

### General technical specifications:

Thermal nominal continuous rated current  $I_{cth}$ :  $1.2 \times I_N$   
 Thermal nominal short-time current  $I_{th}$ :  $60 \times I_N$ , 1 sec.  
 Maximum operating voltage  $U_m$ : 1.2 kV,  $U_{eff}$   
 Isolation test voltage: 6 kV,  $U_{eff}$ , 50 Hz, 1 Min.  
**Lightning impulse voltage: 12kV, 1,2/50  $\mu$ s**  
 Rated frequency: 50 / 60 Hz  
 Applicable technical standards: DIN EN 61869, part 1 + 2

### Order list – secondary 5A

Secondary current		5A				
Primary current	Burden	Accuracy class				
		1	0.5	0.5S	0.2	0.2S
[ A ]	[ VA ]	Art.-no.	Art.-no.	Art.-no.	Art.-no.	Art.-no.
400	2.5		50-2230			
	5	50-0230				
500	2.5		G50-5602			
	5	50-0231	50-2231			
600	2.5		G50-5603	G50-5629		
	5		50-2232			
	10	50-0232				
750	2.5		G50-5605	G50-5630		
	5	50-0233	50-2233	G50-5631		
	10	50-0234	50-2234			
800	2.5		G50-5608	G50-5632		
	5	50-0235	50-2235	G50-5633		
	10	50-0236	50-2236			
1000	5	50-0237	50-2237	G50-5634	G50-5651	
	10	50-0238	50-2238	G50-5635		
	15		G50-5613			
1200	5	50-0279	50-2239	G50-5636	G50-5652	G50-5665
	10	50-0280	50-2240	G50-5637	G50-5653	
	15		G50-5616	G50-5638		
1250	5	50-0239	50-2241	G50-5639	G50-5654	G50-5666
	10	50-0240	50-2242	G50-5640	G50-5655	
	15		G50-5619	G50-5641		
1500	5		G50-5620	G50-5642	G50-5656	G50-5667
	10	50-0241	50-2243	G50-5643	G50-5657	
	15	50-0242	50-2244	G50-5644	G50-5658	

## Order list – secondary 5A

Secondary current		5A				
Primary current	Burden	Accuracy class				
		1	0.5	0.5S	0.2	0.2S
[ A ]	[ VA ]	Art.-no.	Art.-no.	Art.-no.	Art.-no.	Art.-no.
1600	5		G50-5623	G50-5645	G50-5659	G50-5668
	10	50-0243	50-2245	G50-5646	G50-5660	G50-5669
	15	50-0244	50-2246	G50-5647	G50-5661	
2000	5		G50-5626	G50-5648	G50-5662	G50-5670
	10	50-0245	50-2247	G50-5649	G50-5663	G50-5671
	15	50-0246	50-2248	G50-5650	G50-5664	
2500	10	50-0247	50-2249			
	15	50-0248	50-2250			

## Order list – secondary 1A

Secondary current		1A				
Primary current	Burden	Accuracy class				
		1	0.5	0.5S	0.2	0.2S
[ A ]	[ VA ]	Art.-no.	Art.-no.	Art.-no.	Art.-no.	Art.-no.
400	2.5		50-2260			
	5	50-0260				
500	2.5		G50-7602	G50-7629		
	5	50-0261	50-2261			
600	2.5		G50-7603	G50-7630		
	5		50-2262	G50-7631		
	10	50-0262				
750	2.5		G50-7605	G50-7632		
	5	50-0263	50-2263	G50-7633		
	10	50-0264	50-2264	G50-7634		
800	2.5		G50-7608	G50-7635	G50-7656	
	5	50-0265	50-2265	G50-7636		
	10	50-0266	50-2266	G50-7637		
1000	5	50-0267	50-2267	G50-7638	G50-7657	G50-7671
	10	50-0268	50-2268	G50-7639		
	15		G50-7613	G50-7640		
1200	5	50-0281	50-2269	G50-7641	G50-7658	G50-7672
	10	50-0282	50-2270	G50-7642	G50-7659	
	15		G50-7616	G50-7643		
1250	5	50-0269	50-2271	G50-7644	G50-7660	G50-7673
	10	50-0270	50-2272	G50-7645	G50-7661	
	15		G50-7619	G50-7646		
1500	5		G50-7620	G50-7647	G50-7662	G50-7674
	10	50-0271	50-2273	G50-7648	G50-7663	
	15	50-0272	50-2274	G50-7649	G50-7664	
1600	5		G50-7623	G50-7650	G50-7665	G50-7675
	10	50-0273	50-2275	G50-7651	G50-7666	G50-7676
	15	50-0274	50-2276	G50-7652	G50-7667	
2000	5		G50-7626	G50-7653	G50-7668	G50-7677
	10	50-0275	50-2277	G50-7654	G50-7669	G50-7678
	15	50-0276	50-2278	G50-7655	G50-7670	
2500	10	50-0277	50-2279			
	15	50-0278	50-2280			

## Accessories

Quick-Fix (Art.-no.: 55021)



Sealed shutter (Art.-no.: 59059)





- Current transformers for industry
- Current transformers for tariff
- Accessories for current transformers
- Medium-voltage CTs
- Bus bar insulators / -supports
- Shunts
- Voltage transformers
- All current sensors
- Measuring transducers
- Energy meters with or without MID approval
- Accessories for energy meters
- Panel board heaters, filter fans, roof fans and control units



MBS AG  
 Eisbachstraße 51 • 74429 Sulzbach-Laufen • Germany  
 Telefon: +49 7976 9851-0 • Telefax: +49 7976 9851-90  
 info@mbs-ag.com • www.mbs-ag.com